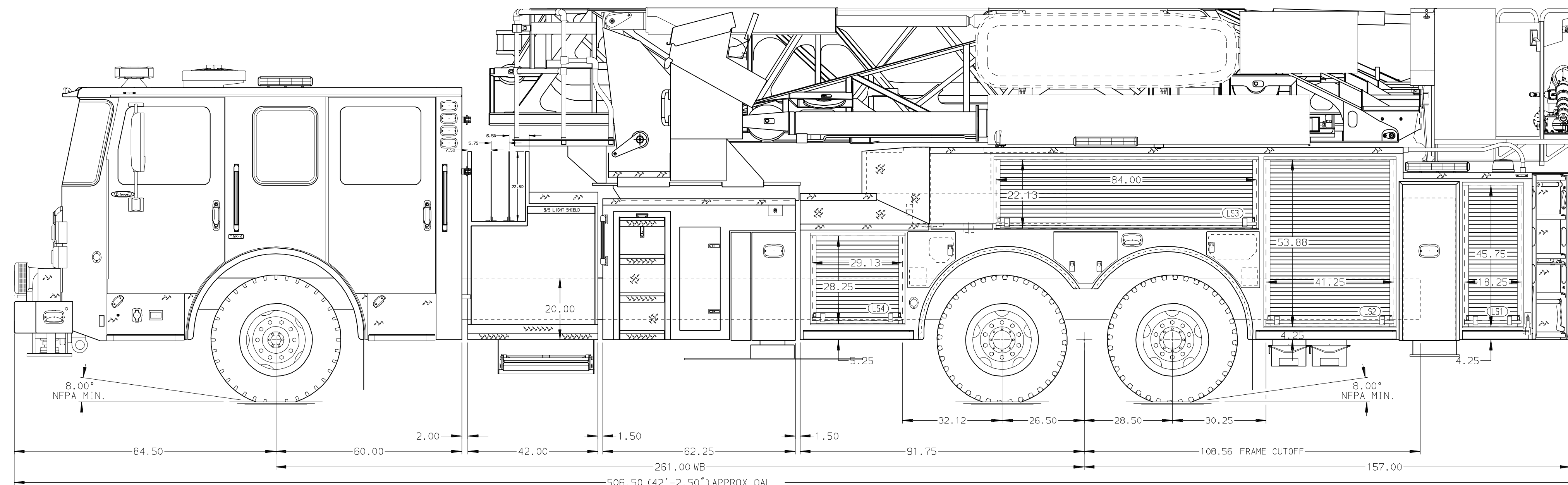
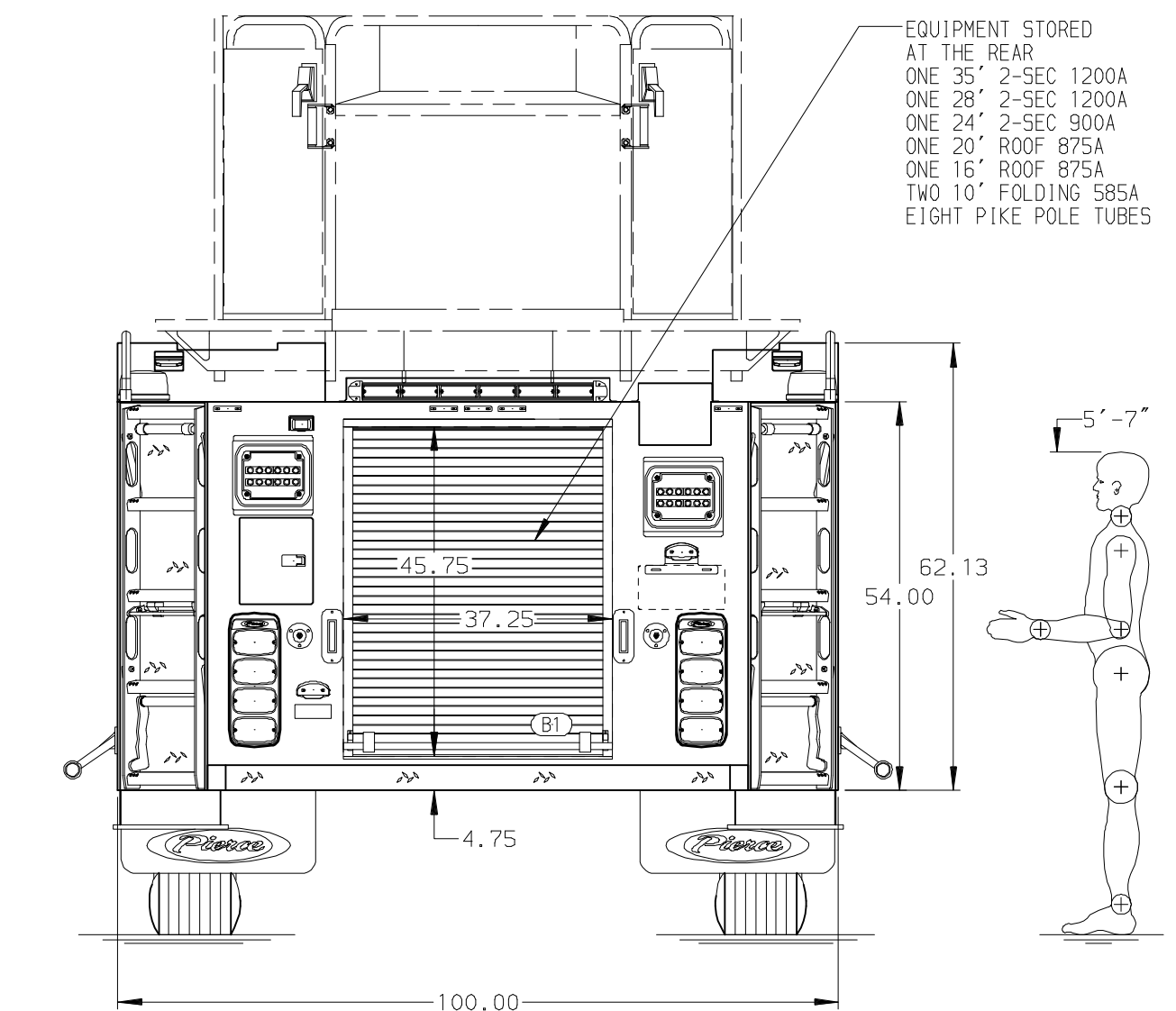


BODY 100' Ascendant Aerial Tower Alum Body COMPT, LEFT SIDE Full Height RollUp Doors COMPT, RIGHT SIDE Full Height RollUp Doors	WATER TANK 300 Gallon Poly Water Tank Foam System Foam System Not Required Foam Cell Foam Cell Not Required
---	---



134.00
(11'-2")
APPROX
O.A.H.



CHASSIS Enforcer Chassis ENGINE 605 HP Cummins X15 Engine	CAB 6000 Enforcer Cab BUMPER 15" Painted Aluminum	AXLE, FRONT, CUSTOM 24,000 Lb TAK-4 Axle AXLE, REAR 52,640 Lb TAK-4 T3 Axle	TRANSMISSION Allison 6th Gen, 4000 EV5 P	PUMPHOUSE 42" Control Zone Side Mount PUMP 2000 GPM Waterous S100	CROSSLAYS, 1.50" (2) 1.50", 200' OF 1.75" CROSSLAYS, 2.00" (1) 2.00", 200' OF 2.00"	SPEEDLAYS Speedlays Not Required GENERATOR Generator Not Required	SAFETY -	CUSTOMER APPROVAL APPROVED BY: _____ DATE: _____		JOB NO. PRELIM SCALE 1:24 DATE DRAWN BY CRI 19JUL21 CHECKED BY NDA 28JUL21 SHEET SIZE D SHEET NO. 1 OF 1
NOTE DIMENSIONS SHOWN ARE APPROXIMATE AND ARE SUBJECT TO MINOR DEVIATIONS AS MAY OCCUR OR BE NECESSARY IN CONSTRUCTION. MINOR DETAILS NOT SHOWN.										
TITLE 100' ASCENDANT AERIAL PLATFORM AND BODY ASSEMBLY MAKE 300 GALLON WATER TANK FOR NANTICOKE CITY FIRE DEPARTMENT GLICK FIRE EQUIPMENT CO, INC BID #684 ROBERTS, DAVE DWG NO. 04-9206										